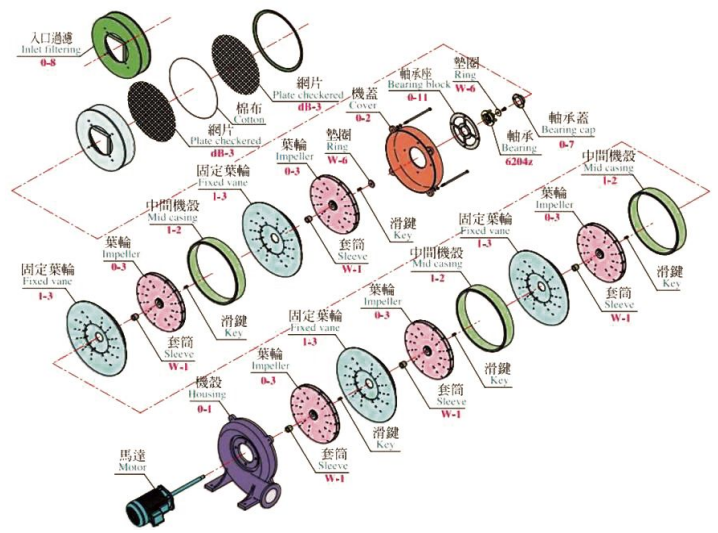
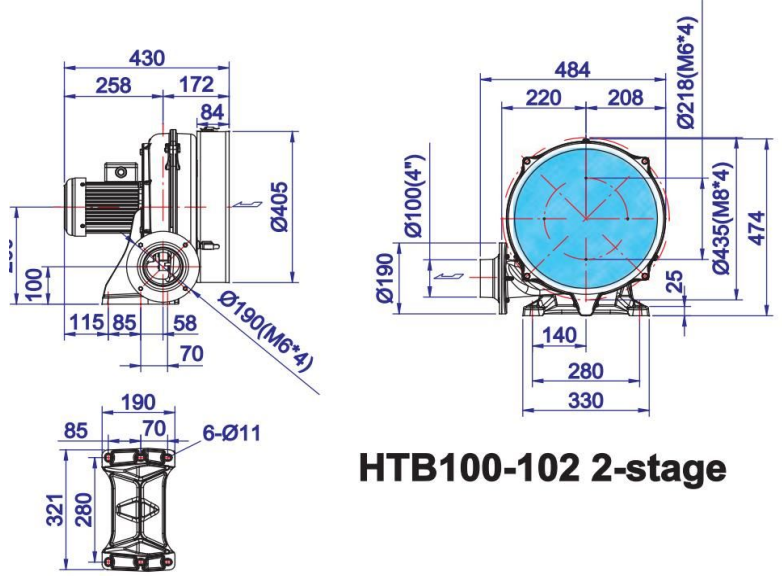
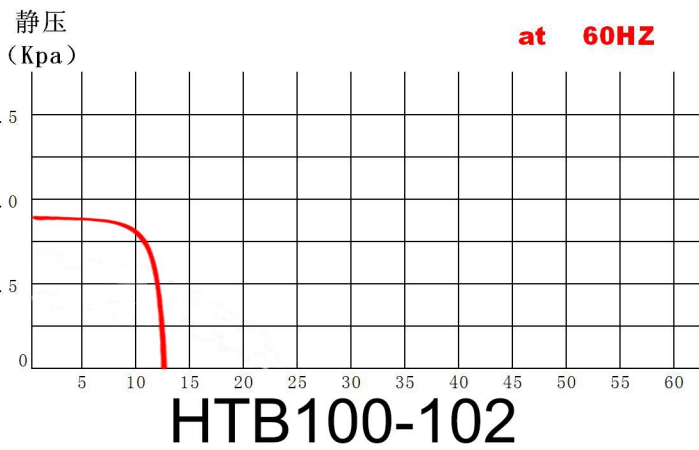
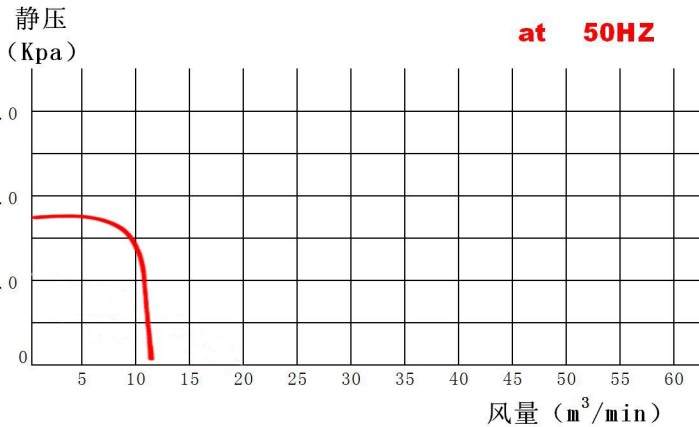




HTB100-102



HTB SERIES SPECIFICATION SHEET

| 风机型号 Type | 相数 Phase | 功率 Power (KW) | 额定电压 Voltage (V) | 额定电流 Current (A) | 最大静压 (吐出) Vacuum/Pressure (max) (KPa) | 最大风量 (吐出) Air Flow (max) (m ³ /min) | 出入口 口径 In/Out (mm) | 噪音 Noise Level (dB) | 重量 Weight (Kg) |
|--------------|-------------|---------------------|---------------------|---------------------|---|--|--------------------------|---------------------------|----------------------|
| HTB75-032 | 3 ~ | 0.4 | 220 / 380 | 1.9/1.2 | 2.1/2.6 | 6/7 | 75 | 53/65 | 17 |
| HTB75-053 | 3 ~ | 0.4 | 220 / 380 | 1.9/1.2 | 2.9/3.8 | 6.5/7.5 | 75 | 55/68 | 19 |
| HTB75-104 | 3 ~ | 0.75 | 220 / 380 | 3/2.0 | 3.7/5 | 6.5/8 | 75 | 56/70 | 24 |
| HTB75-105 | 3 ~ | 0.75 | 220 / 380 | 3/2.0 | 4.2/6 | 6.8/8.5 | 75 | 56/70 | 28 |
| HTB100-102 | 3 ~ | 0.75 | 220 / 380 | 3/2.0 | 3.4/4.5 | 11/13 | 100 | 60/74 | 24 |
| HTB100-203 | 3 ~ | 1.5 | 220 / 380 | 5.5/3.5 | 5/7 | 11/14 | 100 | 61/76 | 36 |
| HTB100-304 | 3 ~ | 2.2 | 220 / 380 | 8/5 | 6.5/9 | 12.5/16 | 100 | 63/78 | 42 |
| HTB100-505 | 3 ~ | 3.7 | 220 / 380 | 13/7.5 | 7.9/11 | 12.8/16.5 | 100 | 64/80 | 56 |
| HTB125-503 | 3 ~ | 3.7 | 220 / 380 | 13/7.5 | 5.8/7.9 | 19/23 | 125 | 70/85 | 57 |
| HTB125-704 | 3 ~ | 5.5 | 220 / 380 | 19/11.5 | 7.5/10.5 | 20/24 | 125 | 70/88 | 81 |
| HTB125-1005 | 3 ~ | 7.5 | 220 / 380 | 26/15.5 | 9/13 | 20/24 | 125 | 72/90 | 98 |

Manvac HTB whole series outlet direction Can rotate in all 360° eight directions, And the left and right directions of the motor can be adjusted. The highly customized service has won us many praises, but Manvac will continue to provide customers with more personalized customized products.